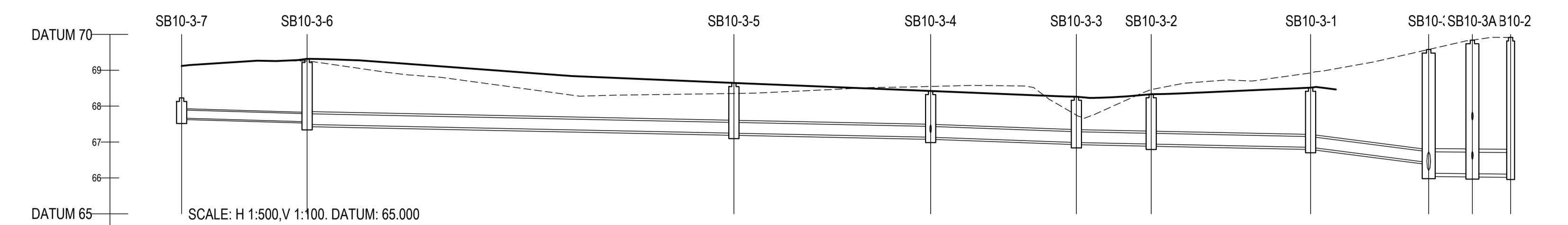
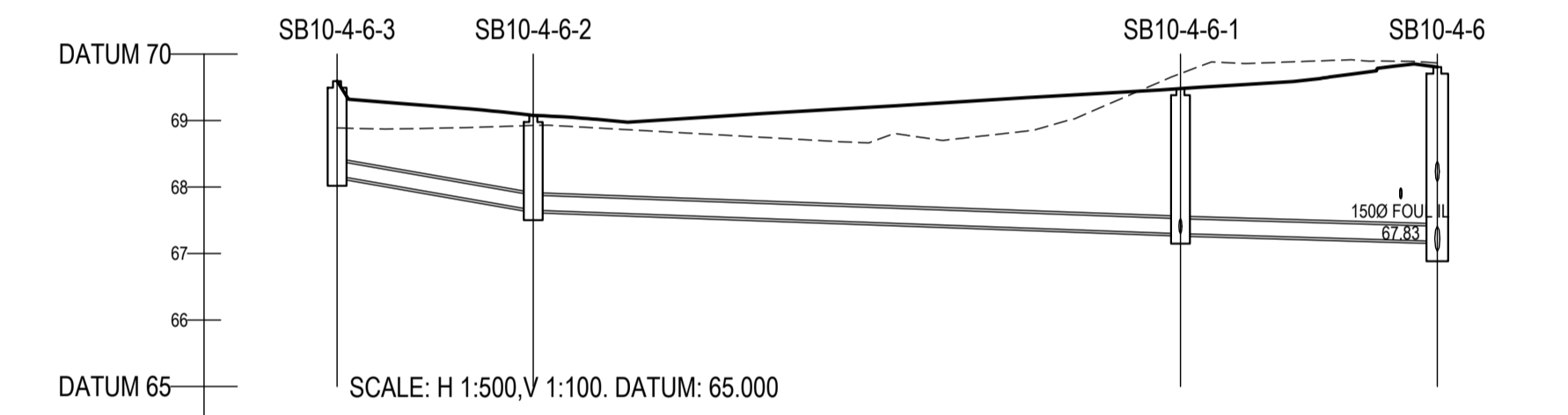


© COPYRIGHT OF THIS DRAWING IS RESERVED BY DBFL CONSULTING ENGINEERS. NO PART SHALL BE REPRODUCED OR TRANSMITTED WITHOUT THEIR WRITTEN PERMISSION.
 NO CHANGES OF WHATSOEVER NATURE ARE TO BE MADE TO ANY DETAILS SET OUT OR CONTAINED IN ANY DBFL SPECIFICATIONS OR DRAWINGS UNLESS THE EXPRESS CONSENT HAS BEEN OBTAINED IN ADVANCE, IN WRITING, FROM DBFL.

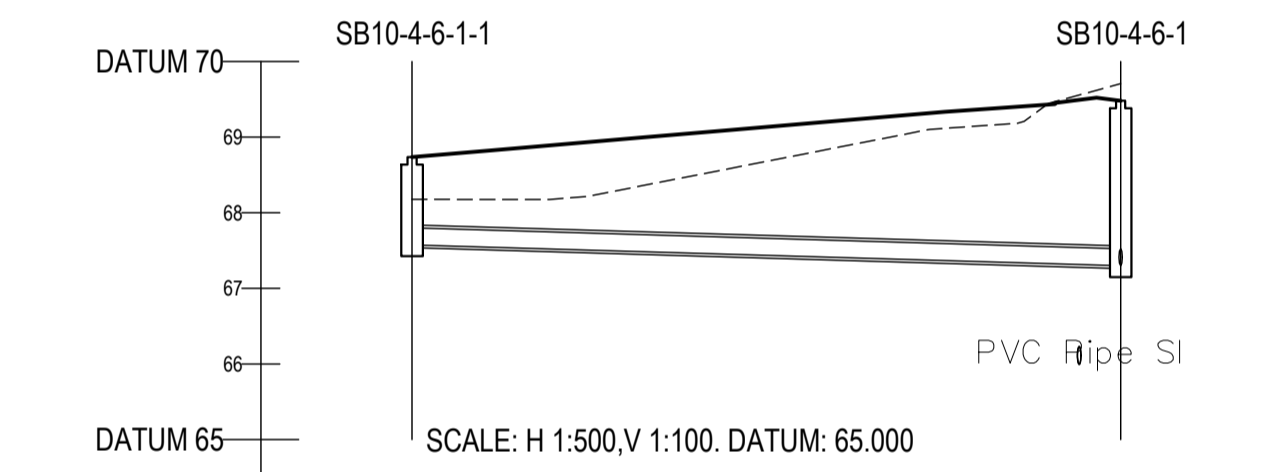
- NOTES:
- ALL DRAWINGS TO BE CHECKED BY CONTRACTOR ON SITE AND ENGINEER INFORMED OF DISCREPANCIES BEFORE WORK COMMENCES
 - ALL LEVELS ARE IN METRES AND ARE RELATED TO ORDINANCE DATUM
 - CONTRACTOR SHALL SATISFY HIMSELF AS TO THE ACCURACY OF PAVEMENT LEVELS ON SITE PRIOR TO COMMENCEMENT OF WORKS ON SITE
 - ALL WORKS TO BE CONSTRUCTED IN ACCORDANCE WITH THE NRA SPECIFICATION FOR ROAD WORKS UNLESS NOTED OTHERWISE
 - THIS DRAWING IS FOR PLANNING PURPOSES ONLY
 - MANHOLE COVER LEVELS ARE TO CONFORM WITH FINISHED ROAD AND PATH LEVELS
 - WHERE COVER TO PIPE IS LESS THAN 1200mm (ROAD/PATH/VERGE) OR 900mm (OPEN SPACE) SURROUND PIPE IN MINIMUM 150mm CONCRETE



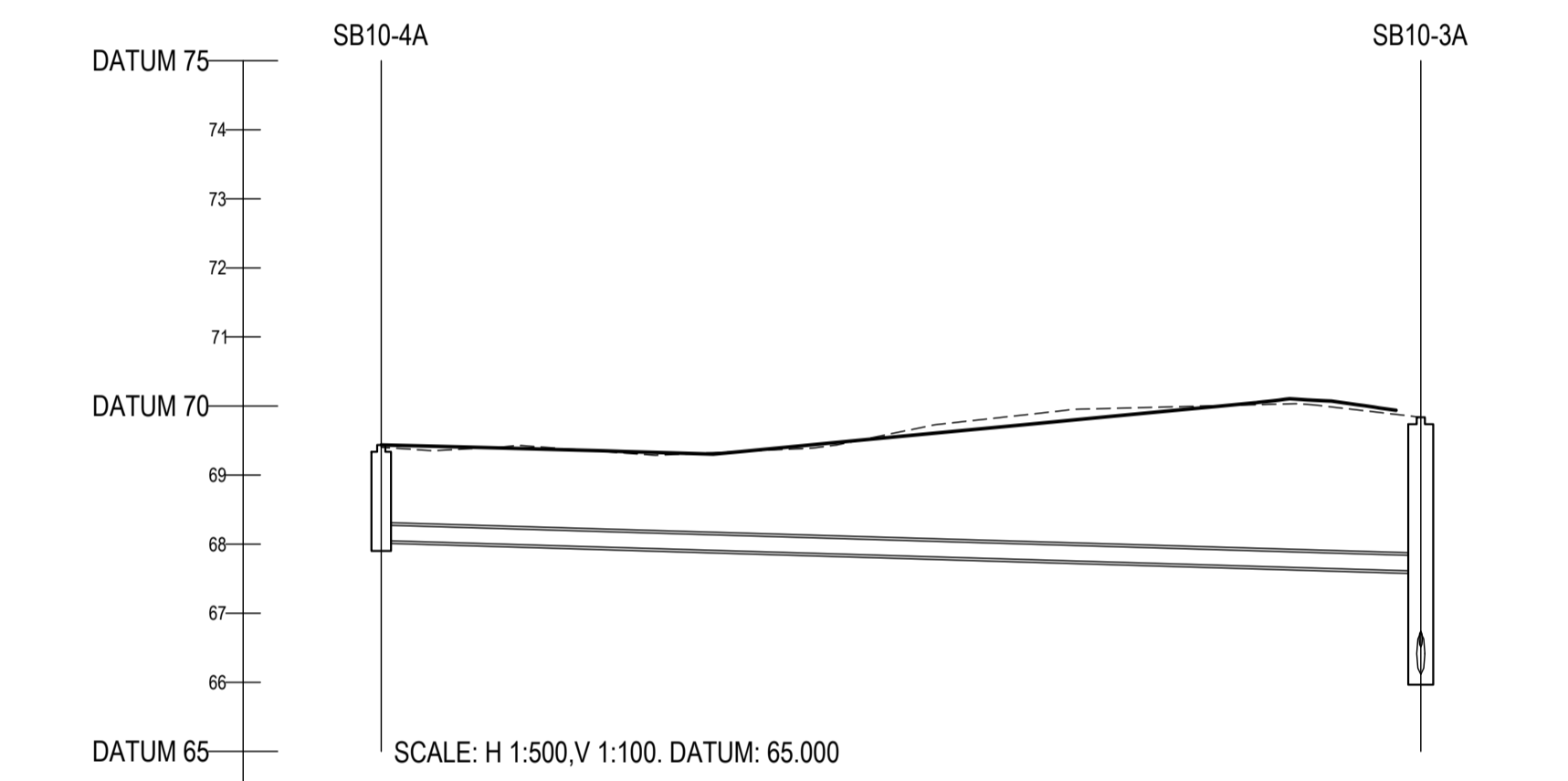
COVER LEVEL	68.200	68.317	68.646	68.423	68.263	68.333	68.515	68.578	68.838	68.914
INVERT LEVEL	67.697	67.564	67.246	67.134	66.986	66.943	66.852	66.428	66.000	65.116
DEPTH (m)	0.503	1.288	1.400	1.289	1.277	1.390	1.663	3.450	3.721	3.800
DISTANCE (m)	17.50	59.54	27.44	20.34	10.43	22.24	16.47	6.09	5.33	
PIPE SLOPE	1:170	1:245	1:245	1:137	1:243	1:244	1:39	1:505	1:505	
PIPE SIZE	225mm	300mm	300mm	300mm	300mm	300mm	300mm	600mm	600mm	



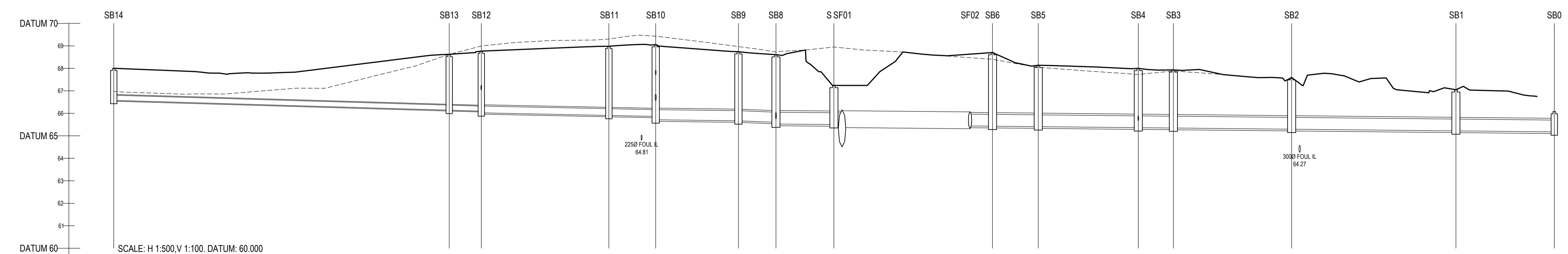
COVER LEVEL	68.593	68.977	69.481	69.805
INVERT LEVEL	68.108	67.652	67.299	67.185
DEPTH (m)	1.425	1.425	2.182	2.770
DISTANCE (m)	14.75	48.65	19.31	
PIPE SLOPE	1:29	1:138	1:169	
PIPE SIZE	225mm	225mm	225mm	



COVER LEVEL	68.736	69.481
INVERT LEVEL	67.575	67.299
DEPTH (m)	1.161	2.182
DISTANCE (m)	46.87	
PIPE SLOPE	1:170	
PIPE SIZE	225mm	



COVER LEVEL	69.437	69.838
INVERT LEVEL	68.052	67.609
DEPTH (m)	1.385	3.721
DISTANCE (m)	75.29	
PIPE SLOPE	1:170	
PIPE SIZE	225mm	



COVER LEVEL	68.803	68.622	68.890	69.054	68.738	68.697	68.210	68.155	68.074	68.703	68.138	67.999	67.930	67.586	67.047	66.077
INVERT LEVEL	66.578	66.139	66.001	65.883	65.668	65.525	65.405	65.382	65.438	65.229	65.407	65.302	65.347	65.293	65.220	65.175
DEPTH (m)	1.425	2.483	2.744	3.074	3.041	3.082	1.711	1.777	1.777	1.774	2.626	2.633	2.583	2.292	1.827	0.892
DISTANCE (m)		74.71	28.42	10.43	18.42	8.36	12.91	1.82	28.50	5.00	10.19	22.28	7.82	26.34	36.58	21.92
PIPE SLOPE		1:170	1:245	1:242	1:409	1:124	1:495	1:495	1:529	1:495	1:495	1:495	1:495	1:495	1:495	1:495
PIPE SIZE		225mm	225mm	300mm	300mm	450mm	450mm	525mm	1250mm	525mm	525mm	525mm	525mm	525mm	525mm	525mm

KEY
 - - - - - EXISTING GROUND PROFILE
 _____ PROPOSED GROUND PROFILE

P01	01-09-22	STAGE 3 SHD PLANNING	GMC	BCM
rev	date	description	by	chkd.
		A - Approved		
		B - Approved with comments		
		C - Do not use		
client approval				
suitability		issue purpose		
S2 - INFORMATION		PLANNING		

DBFL Consulting Engineers
 Civil, Structural & Transportation Engineering
 www.dbfl.ie

DUBLIN OFFICE: Ormond House, Upper Ormond Quay, Dublin 7, D07 W704
 PHONE: +353 1 430 4300

CORK OFFICE: Phoenix House, Monahan Road, Cork, T12 H1XV
 PHONE: +353 (0) 21 2054538

WATERFORD OFFICE: Suite 10 The Arkun, Maritime Gate, Canada Street, Waterford, X91 WC08
 PHONE: +353 51 309 500

project ref. **ASHBOURNE SHD**

drawing title **LONGITUDINAL SECTIONS THROUGH SURFACE WATER SHEET 8**

client **ARNUB LTD. & ASPECT HOMES (ADC) LTD**

designed by **BCM** author **GMC** scale **H 1:500, V 1:100** sheet size **A1**
 drawing no. **200059-DBFL-SW-SP-DR-C-3308** revision **P01**